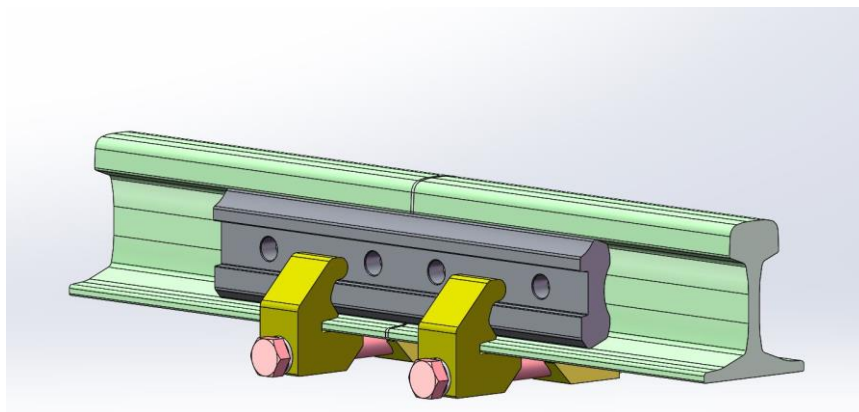
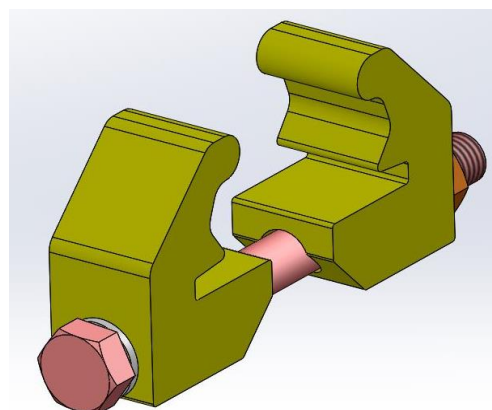
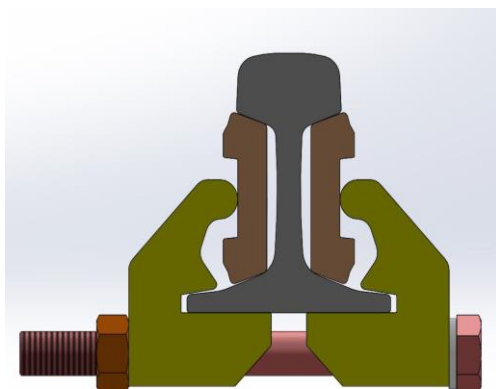


Installation instructions for Rail clamps



- The rail clamps must be thoroughly inspected before installation. No cracks or other defects may be present on the material.
- The rail clamps must be installed by authorized personell.
- For the bolt to hold the clamp, use maximum 665Nm.
- The clamps must be used in pair together with approved fish plates, adapted for rail profiles 50E3 – 54E1 – 60E1.



Industrispår AB

Dragongatan 51, 271 39 Ystad, Sweden

Tel. +46 411 795 00.

www.industrispar.se

